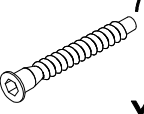



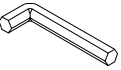
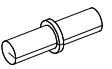
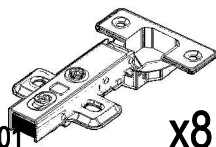

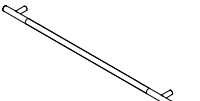

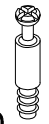

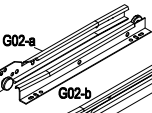

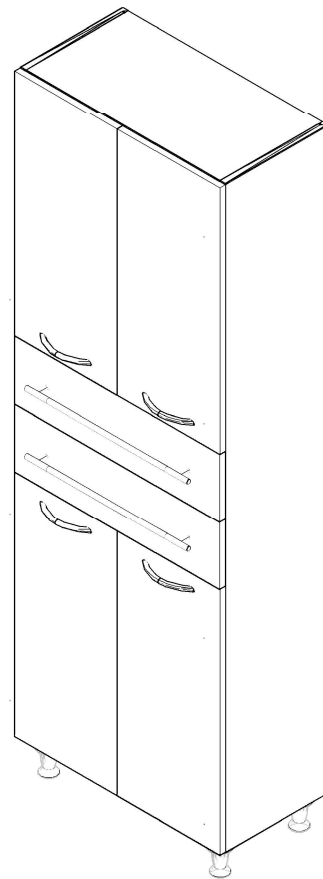
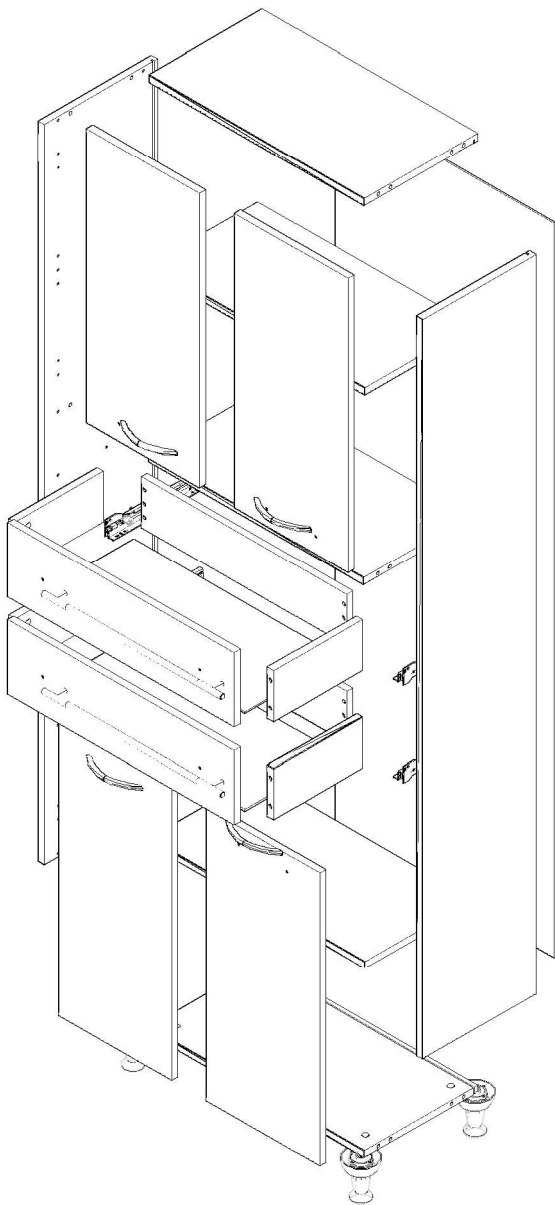
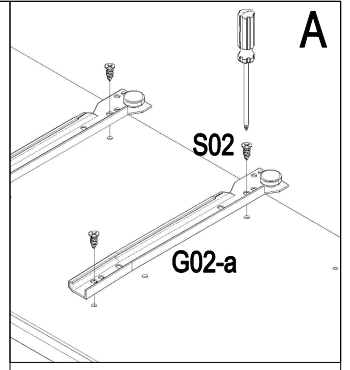
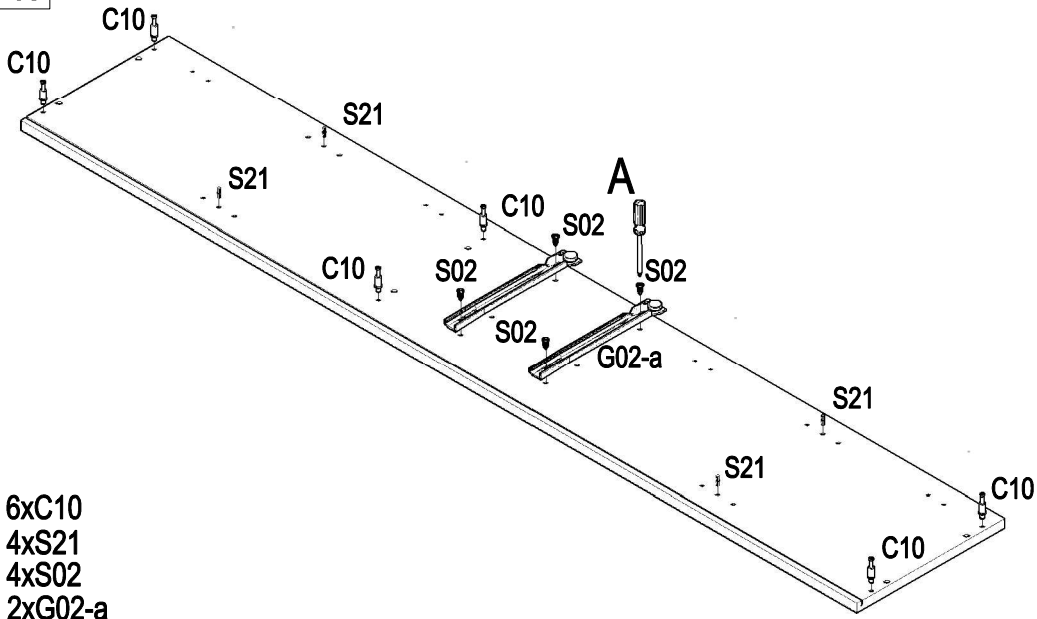


NR.7

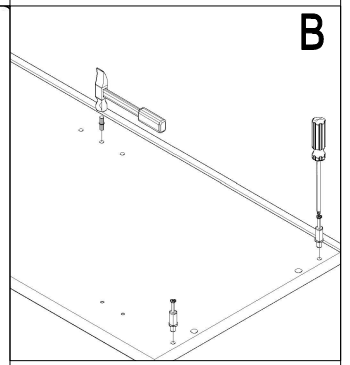
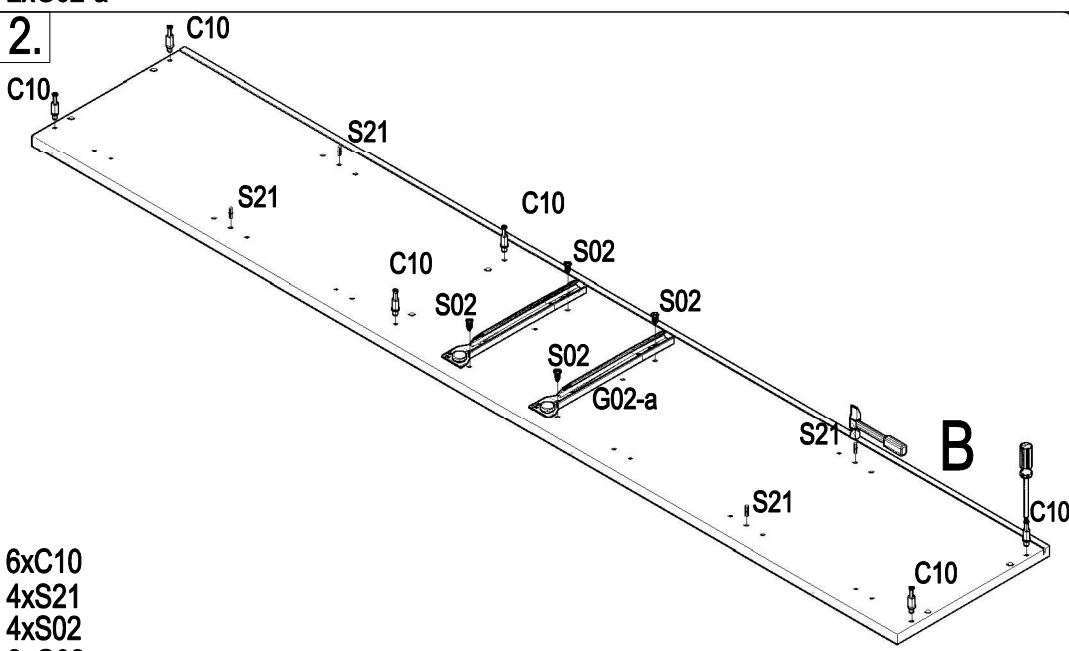
 S01 7x50 x4	 S02 3.5x16 x78	 S11 M4x22 x12	 C01 x20	 D01 x1	 S21 x12
 B01 x8	 M01 x4	 M02 x2	 P02 x4	 C10 x20	 C11 x20
 G02-a  G02-b G02 x2					



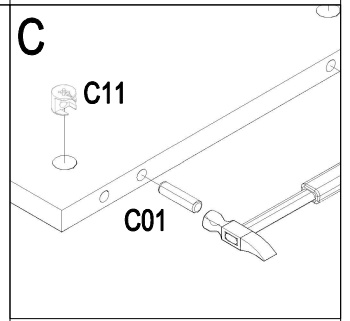
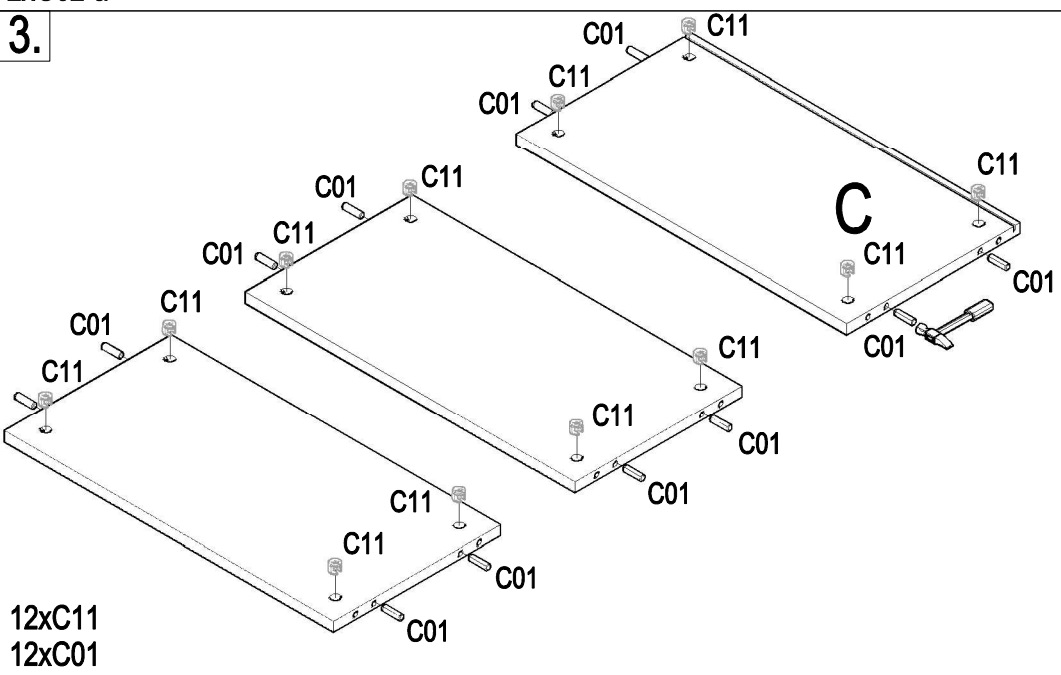
1.



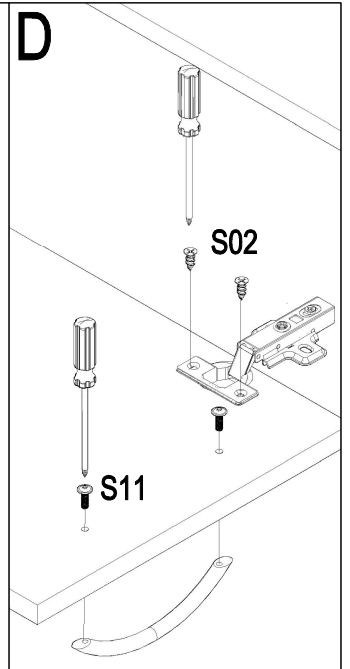
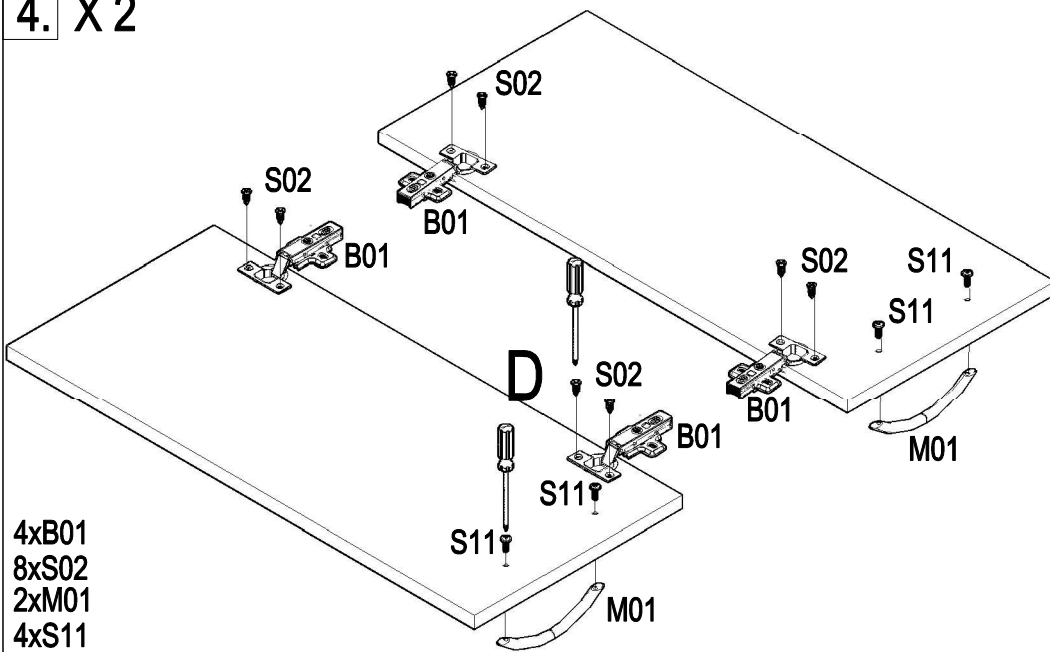
2.



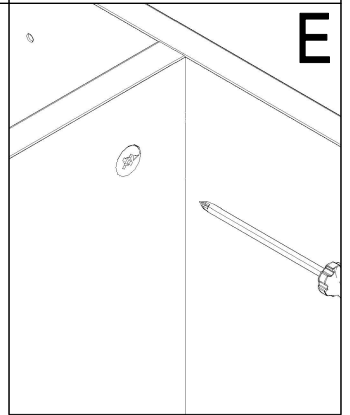
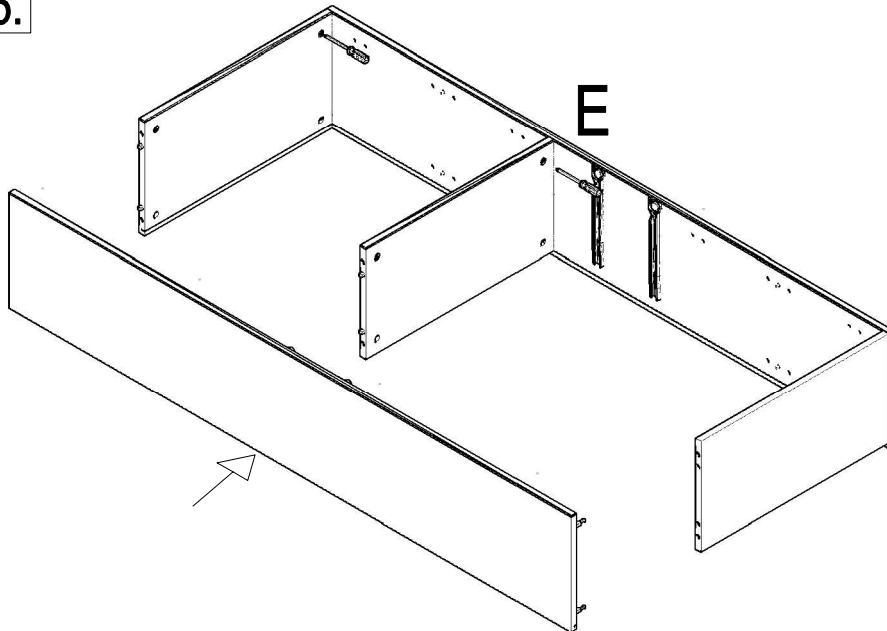
3.



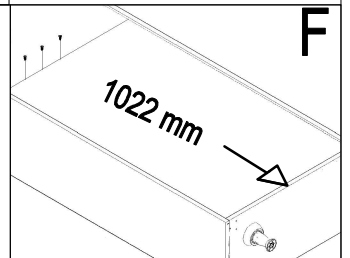
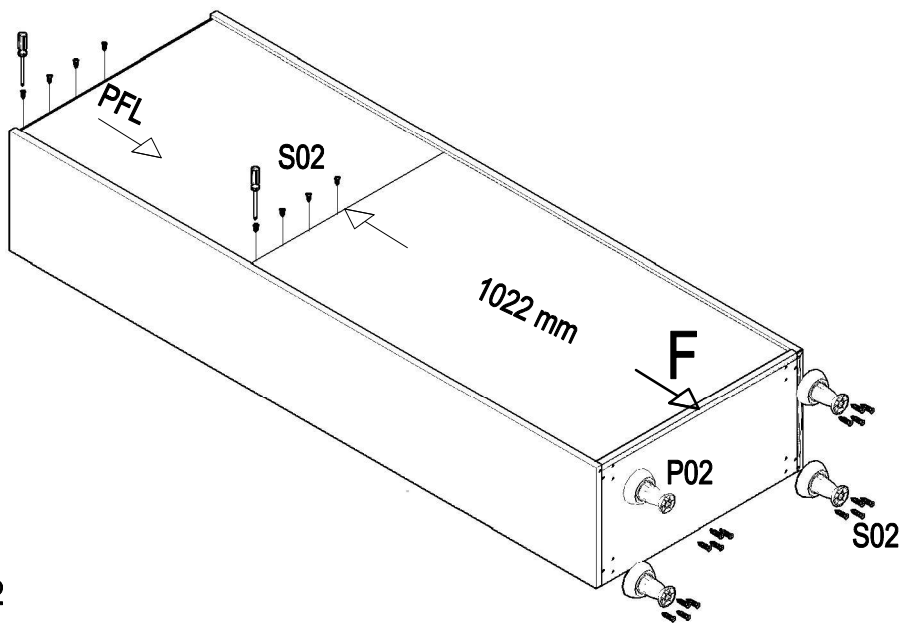
4. X 2



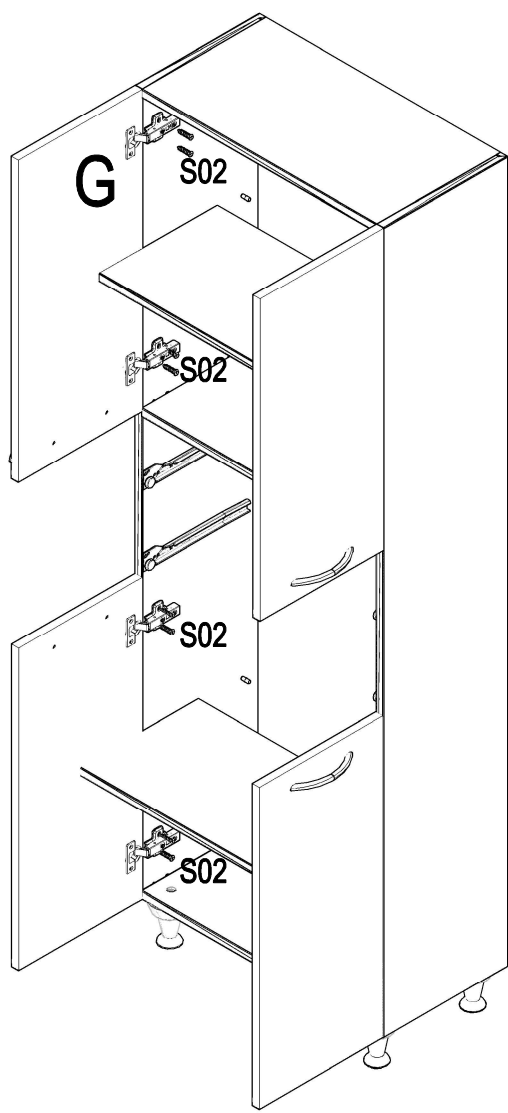
5.



6.

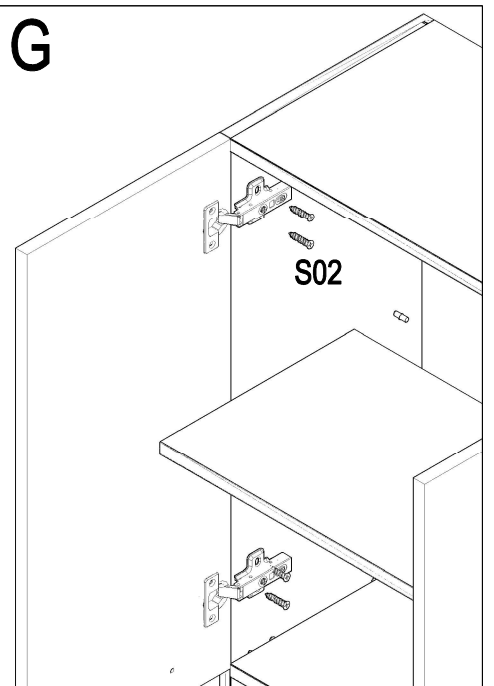


7.

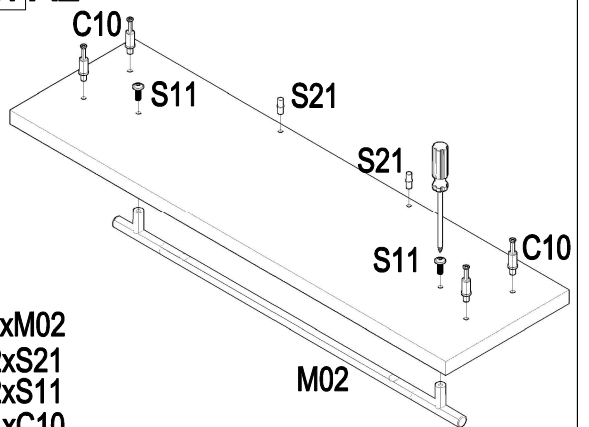


16 x S02

G



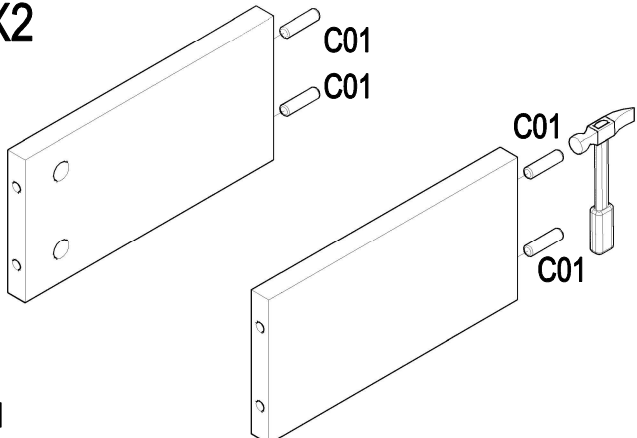
8. X2



1xM02
 2xS21
 2xS11
 4xC10

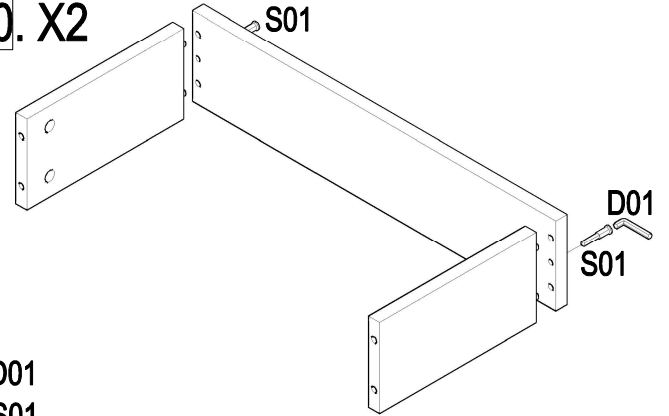
M02

9. X2



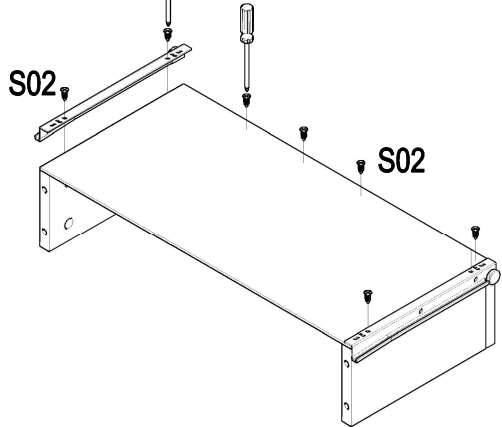
4xC01

10. X2



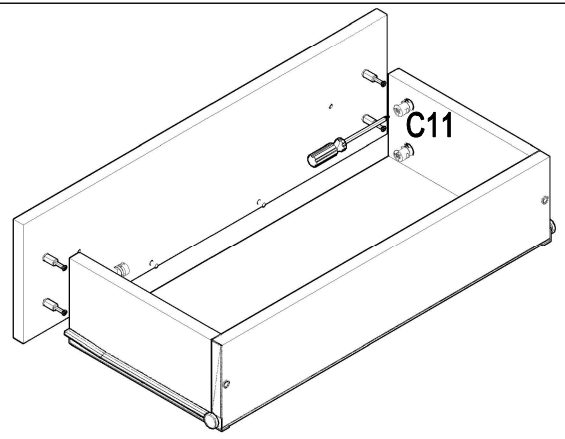
1xD01
 2xS01

11. X2



2xG02-b
 7xS02

12. X2



4xC11